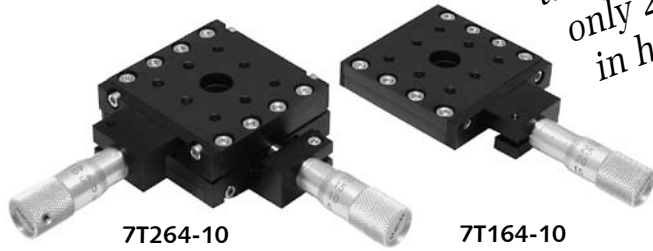


Ultra Low Profile STEEL Translation Stages

7T164-10 • 7T264-10



*two axis stages
only 20 mm
in height !*

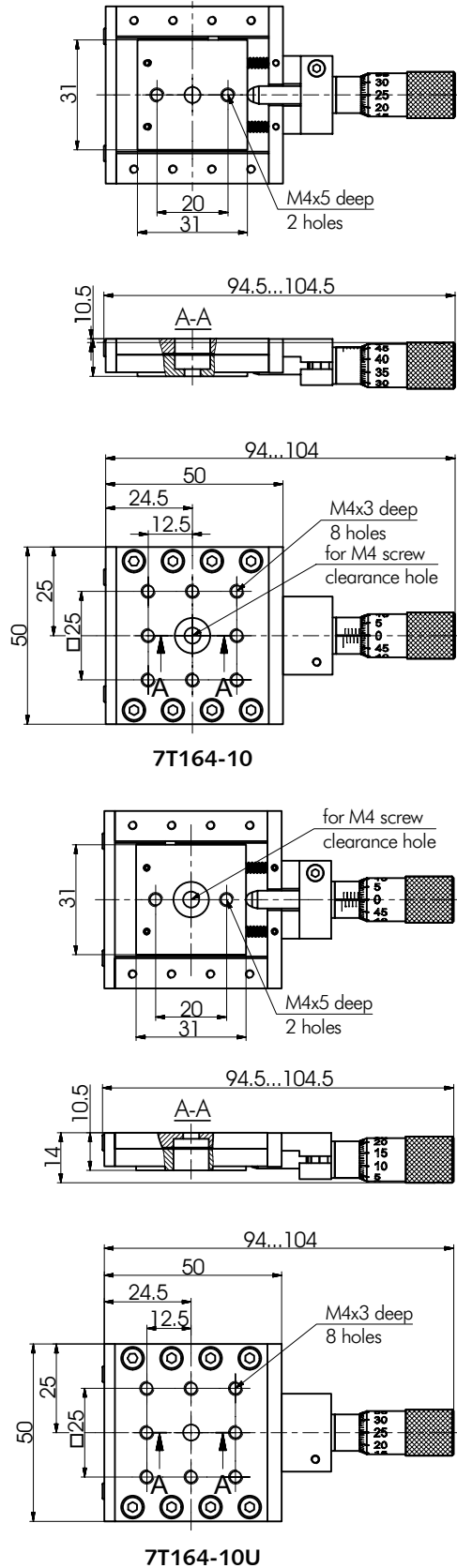
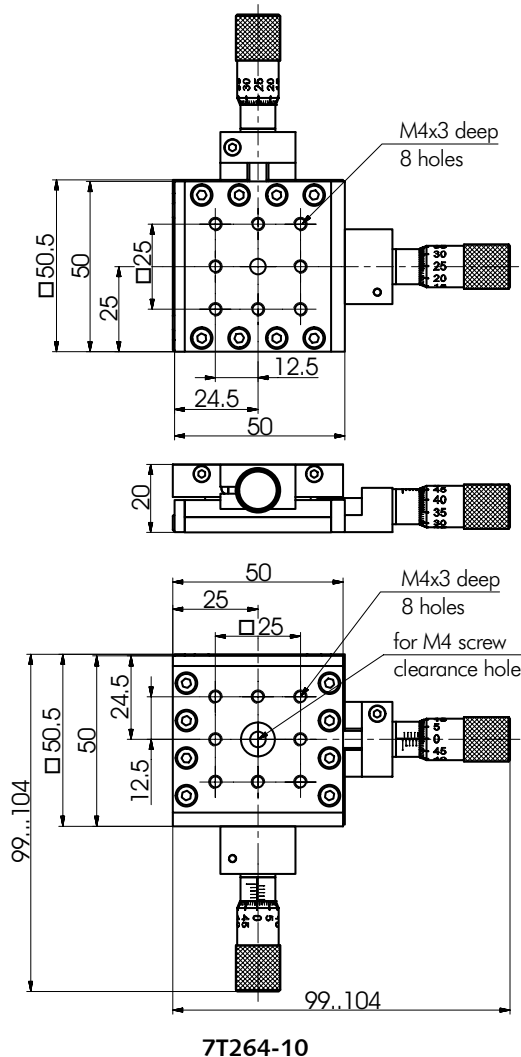
- Only 20 mm in height
- Compact X-Y configuration
- Exceptionally precise orientation of axes at 90°
- Precision movement
- 10 mm travel range
- Precision ball bearings

Ultra Low Profile Steel Two Axis 7T264-10 and Single Axis 7T164-10 Translation Stages. The height of single axis translation stage is **10.5 mm**, and of two axis translation stage – **20 mm**. To match the low height of the stages **Thin Micrometers 9S55-10** with small knob diameter (13 mm) are used as driving screws.

SPECIFICATIONS

Travel range	10 mm
Sensitivity	1 μm
Tracking accuracy	2 μm
Reading accuracy	5 μm (½ division)
Load capacity:	
Horizontal	6 kg
Vertical	3 kg
Weight:	
7T164-10	0.14 kg
7T264-10	0.34 kg
7T264-10U	0.34 kg

Ordering information on the 7-17 page.



www.standa.it

e-mail: sales@standa.it

Fax: +370-5-2651483

Phone: +370-5-2651474

standa

Optical
Tables

1
Brackets
& Rails

2
Base
Mounts &
Accessories

3
Optical
Mounts

4
Optical
Positioners

5
Base
Positioners

6
Translation &
Rotation
Stages

7

8
Motorised
Positioners &
Controllers

9
Fine
Adjustment
Screws

10
Opto-
Mechanics &
Sets

11
Light Test &
Measurement
Instruments

12
Lasers &
Accessories

Low Profile Two-Axis Aluminium Translation Stage

7T273-10



- Compact X-Y configuration
- Exceptionally precise orientation of axes at 90°
- Precision movement
- 10 mm travel range
- Precision ball bearings
- Perpendicular and side control configuration

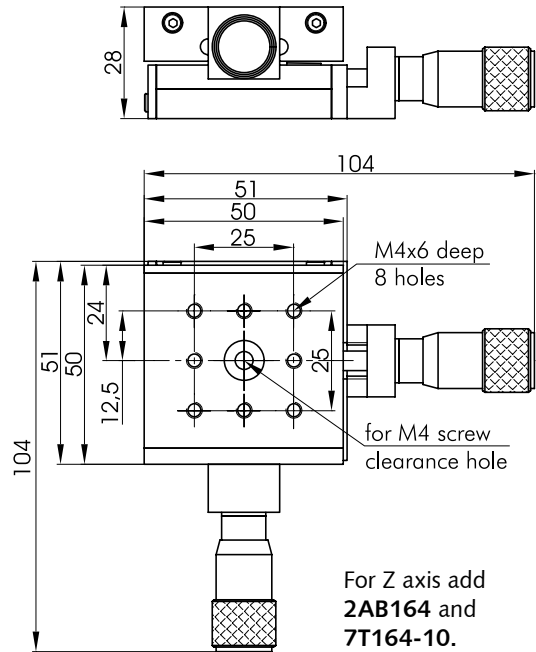
Low Profile Two-Axis Aluminium Translation Stage 7T273-10 provides smooth, precise, X-Y axis movement.

The travel of this Stage is **10 mm** with resolution **10 μm**. Eight **M4** tapped holes are provided in order to mount other components. It can be directly mounted to breadboards and other equipment from Standa by use of mounting holes $\varnothing 4.5$ mm and **M4**.

The base and the platform are produced from the black anodized aluminium.

SPECIFICATIONS

Travel range	10 mm
Sensitivity	1 μm
Tracking accuracy	2 μm
Reading accuracy	5 μm (½ division)
Load capacity:	
Horizontal	15 kg
Vertical	5 kg
Weight	0.38 kg



7T273-10



3UBP-04 universal base plate for stacking the translation stages to STANDA optical tables or to another stages. **Page 3-6**

Low Profile Two-Axis Aluminium Translation Stage of Side Control

7T273-10T

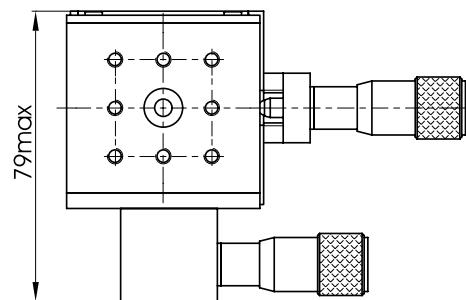


A rare opportunity to control an X-Y translation stage from one side! Try it and feel the advantage!

Translation Stage 7T273-10T. For your convenience we have rotated by **90°** the driving screw for **X** axis. Now it sits parallel to the other screw (for **Y** axis). So the stage is controlled from a single side. This helps in optical schemes of great concentration.

In other respects, including the **specifications**, the stage is the same as **7T273-10**.

Weight – 0.38 kg



7T273-10T

Other dimensions such as **7T273-10**

