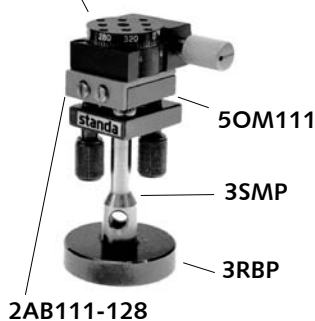


# Micro Rotation Stage

## 7R128



7R128



2AB111-128



2AB111-128

**Micro Rotation Stage 7R128** is a compact **360°** rotation platform.

Using a fine screw it's possible to rotate the platform precisely. Pitch of the screw is **0.25 mm**.

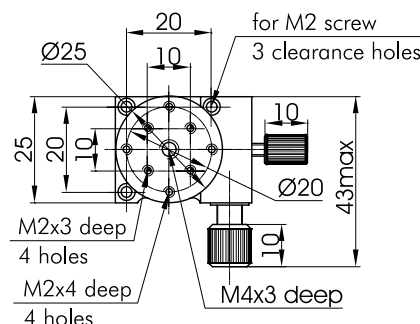
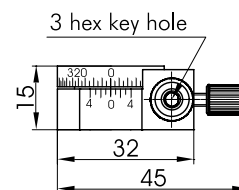
Vernier can be read to **1°**.

Using **M2** screws and an angle bracket **2AB128**, this compact stage may be attached to other **micro stages** (like **7T128**). **Other angle brackets** are available in order to attach the stage to **other units**, for example to **5OM111**.

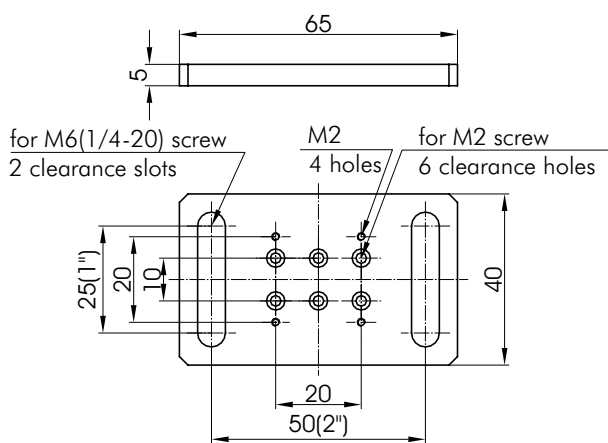
The stage is produced from black anodized aluminium.

### SPECIFICATIONS

Rotation range	360° coarse;
	15° fine
Reading accuracy	1°
Sensitivity	0.5 arcmin.
Wobble	1 arcmin.
Load capacity	
Horizontal	0.1 kg
Vertical	0.1 kg
Weight	0.05 kg



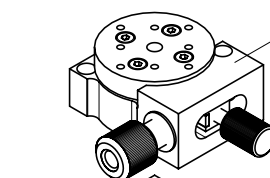
7R128-9S35-5BL  
(with mini micrometer  
9S35-5BL installed)



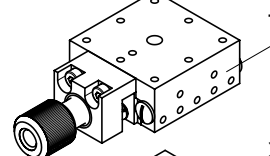
**3BP7T128** base plate  
for stacking the translation stages **7T128**,  
**7T228T** and rotation stage **7R128** to **STANDA**  
optical tables or to another stages.



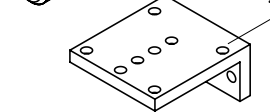
7R128



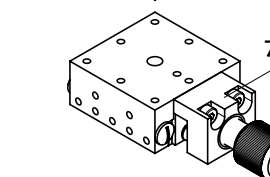
7T128



2AB128



7T128



7R128  
stacked on 7T128XY

*Motorized version  
8MR128 available*



- Optical Tables 1
- Brackets & Rails 2
- Base Mounts & Accessories 3
- Optical Mounts 4
- Optical Positioners 5
- Base Positioners 6
- Translation & Rotation Stages 7
- Motorised Positioners & Controllers 8
- Fine Adjustment Screws 9
- Opto-Mechanics & Sets 10
- Light Test & Measurement Instruments 11
- Lasers & Accessories 12

www.standa.it

e-mail: sales@standa.it

Fax: +370-5-2651483

Phone: +370-5-2651474

# Micro Translation Stage

# 7T128



top view



bottom view

7T128



7T128XY

- Compact design
- Precision movement
- 5 mm travel range
- Precision ball bearings

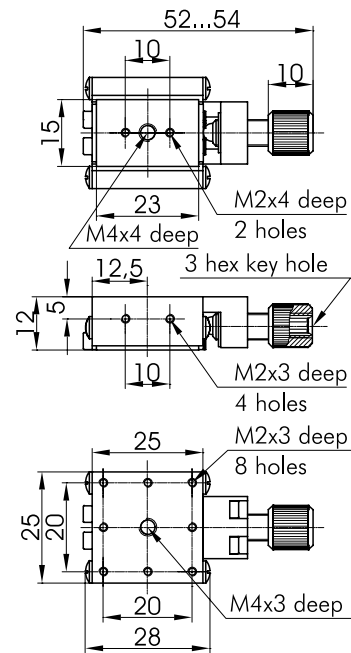
**Micro Translation Stage 7T128** provides smooth, precise single axis movement.

**M2** and **M4** mounting holes are provided.

Material: black anodized aluminium.

### SPECIFICATIONS

Travel range	5 mm
Sensitivity	1 $\mu$ m
Tracking accuracy	2 $\mu$ m
Load capacity:	
Horizontal	0.5 kg
Vertical	0.2 kg
Weight	0.04 kg

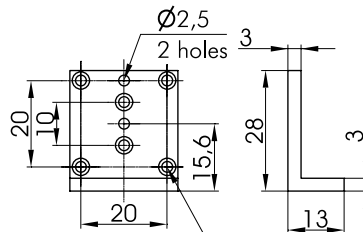


**7T128 - 9S35-5BL**  
(with mini micrometer  
9S35-5BL installed)

Angle brackets 2AB128 allow to stack the stages for X-Y-Z motion.



2AB128



for M2 screw  
6 clearance holes

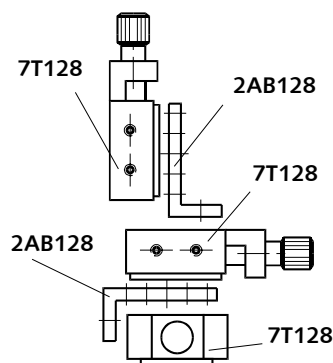


7T128XY

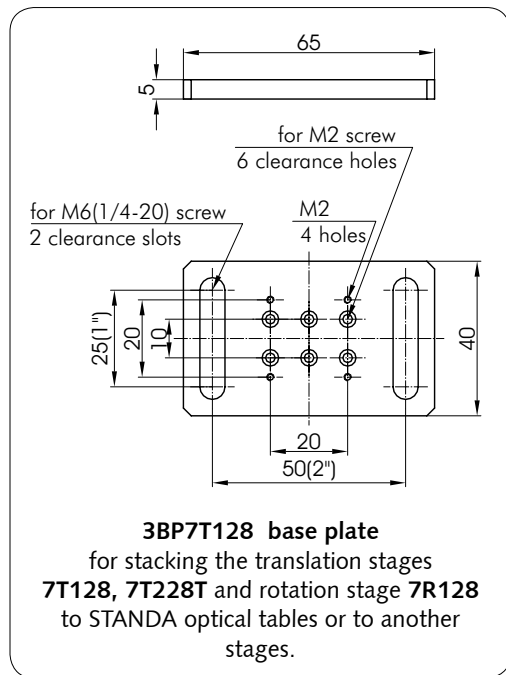
Angle Bracket  
2AB128



7T128XYZ



usage of angle  
bracket 2AB128



**3BP7T128 base plate**  
for stacking the translation stages  
7T128, 7T228T and rotation stage 7R128  
to STANDA optical tables or to another  
stages.



# XZ Micro Translation Stage of Side Regulation

## 7T228T

- Ultra Compact configuration
- Precise rectilinear movement
- 4 mm X-Z or X-Y travel range
- Precision ball bearings

So it is ideally suited for use as a holder of diaphragms.

The base and the platform are made of black anodized aluminium.



7T228T

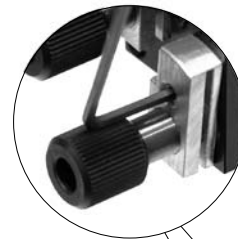


7T228T – 9S35M-5BL (with mini micrometer 9S35M-5BL installed)

**XZ Micro Translation Stage 7T228T** provides smooth, precise two axis movement.

The driving screws are positioned so that the unit is **controlled only from one side**.

The **travel** of this stage is **4 mm** with **sensitivity of 5µm**. To mount components on it, **M2** tapped holes are provided. The unit has a clear **aperture of Ø7**.

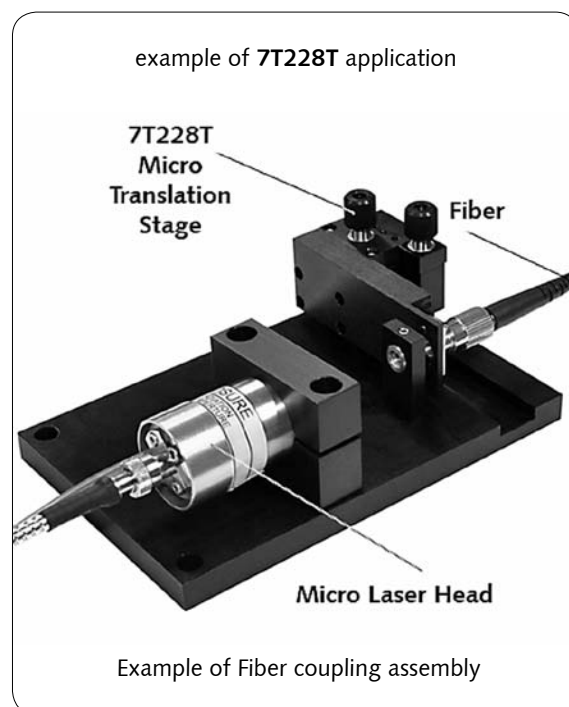
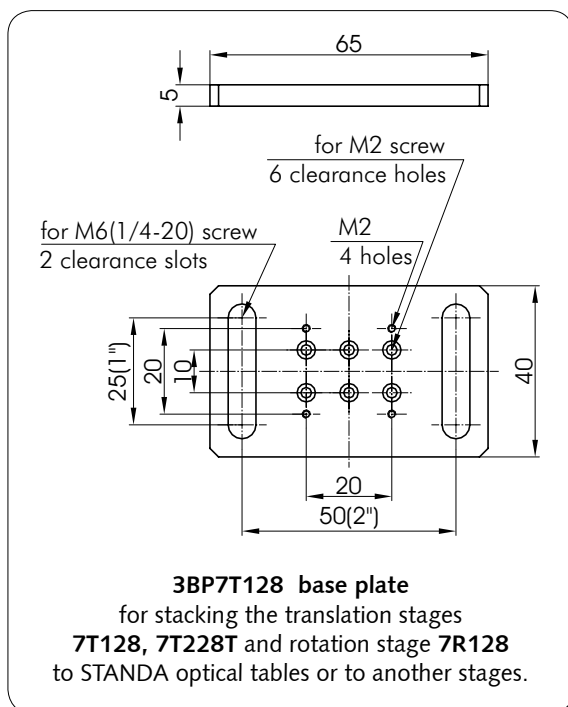
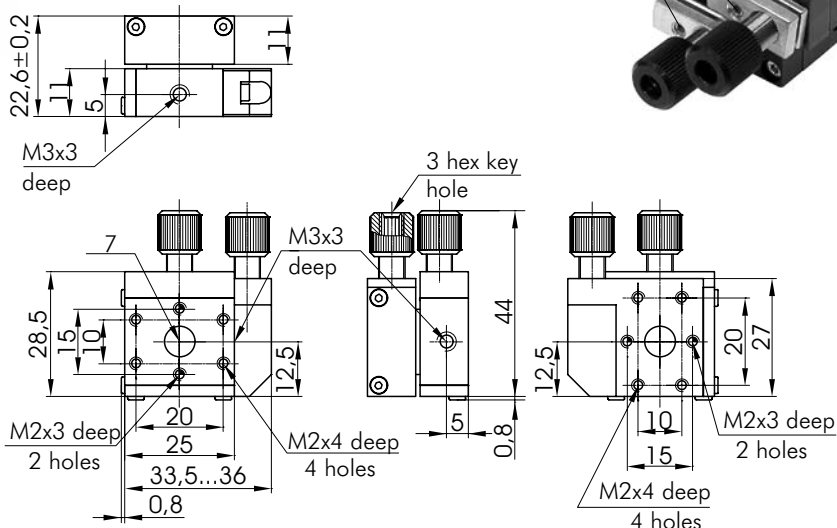


7T228TL lockable version



### SPECIFICATIONS

Travel range	4 mm
Sensitivity	1 µm
Tracking accuracy	2 µm
Load capacity:	
Horizontal	0.3 kg
Vertical	0.1 kg
Weight	0.06 kg



www.standa.it

e-mail: sales@standa.it

Fax: +370-5-2651483

Phone: +370-5-2651474

**standa**

Optical Tables

1

Brackets & Rails

2

Base Mounts & Accessories

3

Optical Mounts

4

Optical Positioners

5

Base Positioners

6

Translation & Rotation Stages

7

Motorised Positioners & Controllers

8

Fine Adjustment Screws

9

Opto-Mechanics & Sets

10

Light Test & Measurement Instruments

11

Lasers & Laser Accessories

12