

# Motorized Flipper Mount

## 8MFM-1



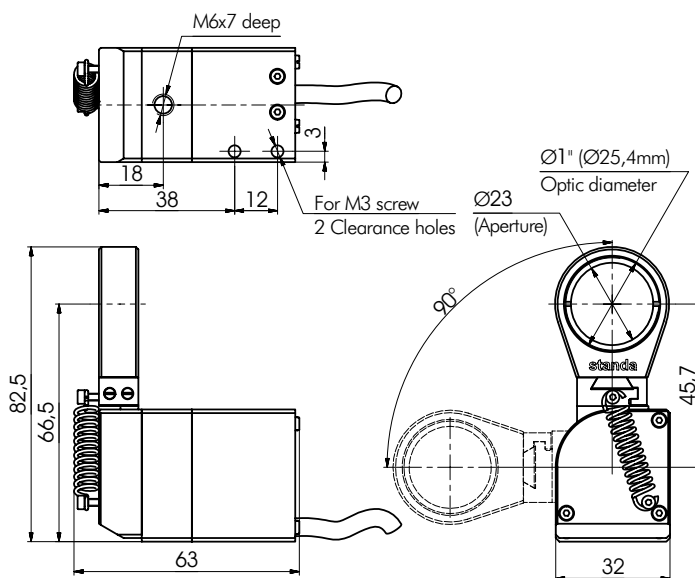
- Controlled with button, handset, external trigger or 8SMC4-USB controller
- Mechanical hard stops ensure repeatable positioning
- M6x7 threaded hole for post mounting
- Remote handset with SMA I/O connectors
- Single cable solution for space saving
- Ø2" optical mount on request

**Motorized Flipper Mount 8MFM-1** is designed for fast and precise Ø1" (25.4 mm) optical components flip in and flip out of beam path. Reaching 90° flip position takes less than 0.4 s. Mechanical hard stops ensure repeatable positioning.

**Flipper mount 8MFM-1** performs with great repeatability,

stability and long lifetime. Filters, mirrors or pinholes can be easily mounted into the holder and fastened using two fluoroplastic rings and retaining nut. Optics holders for fast switching between different optics can be ordered separately. Due its fast flip time the 8MFM-1 can be used as beam shutter.

**Flipper Mount** has two M3 clearance holes on the side and M6x7 deep threaded mounting hole at the bottom, which aligns with optical axis.



**new**

### SPECIFICATIONS

Flip positions	0 and 90°
Flip time	<0.4 s
Optic diameter	Ø25.4 mm (1")
Optics thickness, max	7 mm
Flip to flip repeatability	≤50 µrad
Maximum torque	0.33 Nm
Digital I/O Connector type	SMA (2 places)
Power input	9 V-12 V
Weight	160 g

### ORDERING INFORMATION

<b>8MFM-1</b>	- Motorized Flipper Mount
<b>PS12-0.7-C</b>	- Power Supply (12 V; 0.7 A)
<b>4FOM-1</b>	- Optics holder (additional)



Easily changeable **4FOM-1** optics holder  
(one included with **8MFM-1**)



www.standa.it

e-mail: sales@standa.it



Phone: +370-5-2651483

Fax: +370-5-2651474



**standa**



Optical  
Tables

1

Brackets  
& Rails

2

Base  
Mounts &  
Accessories

3

Optical  
Mounts

4

Optical  
Positioners

5

Base  
Positioners

6

Translation &  
Rotation  
Stages

7

Motorised  
Positioners &  
Controllers

8

Fine  
Adjustment  
Screws

9

Opto-  
Mechanics &  
Sets

10

Light Test &  
Measurement  
Instruments

11

Lasers &  
Accessories

12



- by PC using **8SMC4-USB controller** or customer's own device
- or by PC via external SMA connectors



- by the button on the top of the flipper

## Motorized flipper mount can be controlled



- **remote handset** (included with **8MFM-1**)



**Remote handset** itself is equipped with SMA input and output connectors\*.

\*The I/O connectors use TTL signal levels (from 0 V to 5 V). Via input user can control holder position and via output determine position of it.

**PS12-0.7-C – power supply 12 V; 0,7 A**



This **flipper mount** requires **9 – 12 V power supply** unit to operate.

1	Optical Tables
2	Brackets & Rails
3	Base Mounts & Accessories
4	Optical Mounts
5	Optical Positioners
6	Base Positioners
7	Translation & Rotation Stages
8	Motorised Positioners & Controllers
9	Fine Adjustment Screws
10	Opto-Mechanics & Sets
11	Light Test & Measurement Instruments
12	Lasers & Laser Accessories

