



EOT's Silicon Photodetectors contain PIN photodiodes that utilize the photovoltaic effect to convert optical power into an electrical current. When terminated into 50Ω into an oscilloscope, the pulsewidth of a laser can be measured. When terminated into 50Ω into a spectrum analyzer, the frequency response of a laser can be measured. EOT's Silicon Photodetectors come with their own internal bias supply consisting of long-life lithium cells. Plugging a coaxial cable into the photodetector's BNC output connector and terminating into 50Ω at the oscilloscope or spectrum analyzer is all that is required for operation.

Applications:

- Monitoring the output of Q-switched lasers
- Monitoring the output of mode-locked lasers
- Monitoring the output of externally modulated CW lasers
- Time domain and frequency response measurements

Features:

- Silicon photodetectors can be ordered with optional wall plug-in power supply

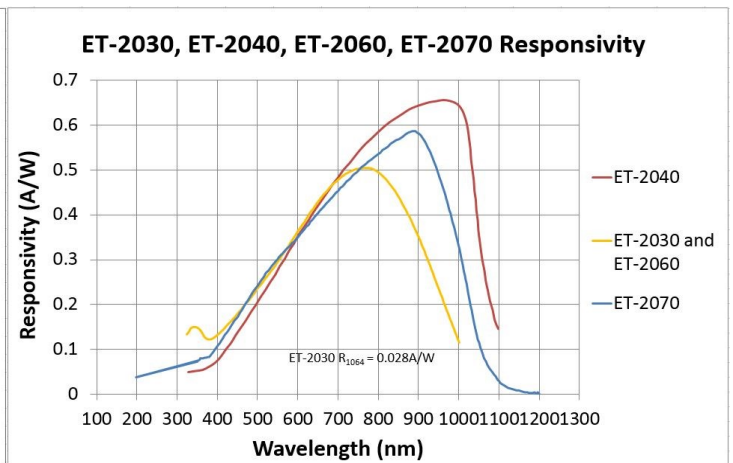
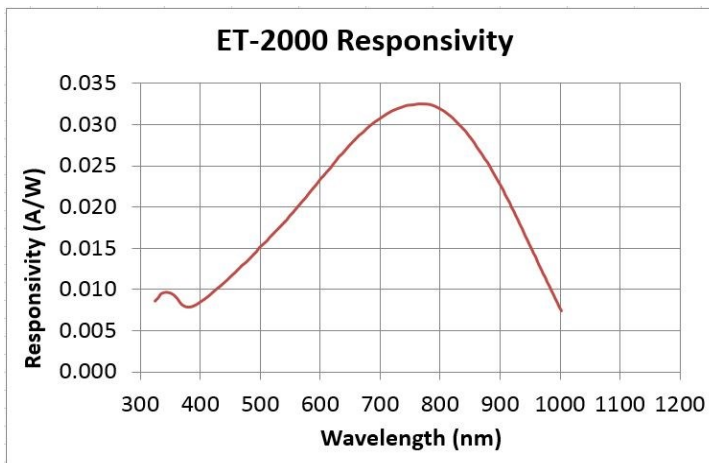
Specifications^a:

Part No. (Model)	120-10000-0001 (ET-2000)	120-10011-0001 (ET-2030)	120-10028-0001 (ET-2040)	120-10133-0001 (ET-2060)	120-10134-0001 (ET-2070)
Rise Time/Fall Time	<350ps/<350ps	<300ps/<300ps	<30ns/<30ns	<320ps/<320ps	3ns/3ns
Responsivity at 830nm	0.03A/W	0.47A/W	0.6A/W	0.47A/W	0.56A/W
Power Supply	3VDC	9VDC	24VDC	9VDC	24VDC
Bandwidth	>1.0GHz	>1.2GHz	>25MHz	>1.1GHz	>118MHz
Active Area Diameter	110μm x 55μm	0.4mm	4.57mm	0.4mm	2.55mm
Dark Current	<0.11nA	<0.1nA	<10nA	<0.1nA	<10nA
Acceptance Angle (1/2 angle)	20°	10°	60°	N/A ^b	50°
Noise Equivalent Power	<0.15pW/√Hz	<0.01pW/√Hz	<0.09pW/√Hz	<0.01pW/√Hz	<0.10pW/√Hz
Maximum Linear Rating	CW current: 20mA Energy per 10ns pulse: 20μJ	CW current: 3mA Pulse current: 3mA	CW current: 2mA Optical input: 3mW	CW current: 3mA Pulse current: 3mA	CW current: 2.5mA Pulse current: 15mA
Mounting (Tapped Holes)	8-32 or M4	8-32 or M4	8-32 or M4	8-32 or M4	8-32 or M4
Output Connector	BNC	BNC	BNC	BNC	BNC

^a Product specifications are subject to change.

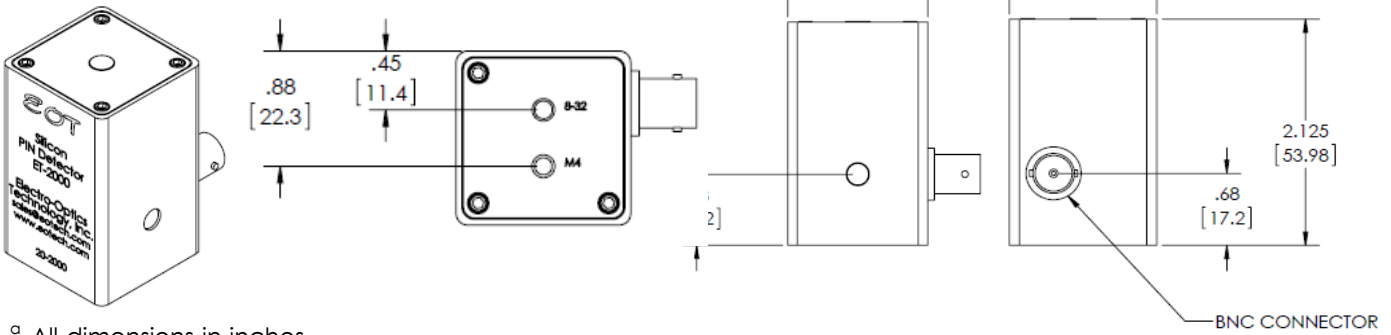
^b Includes FC receptacle

Note: All products are RoHS compliant.



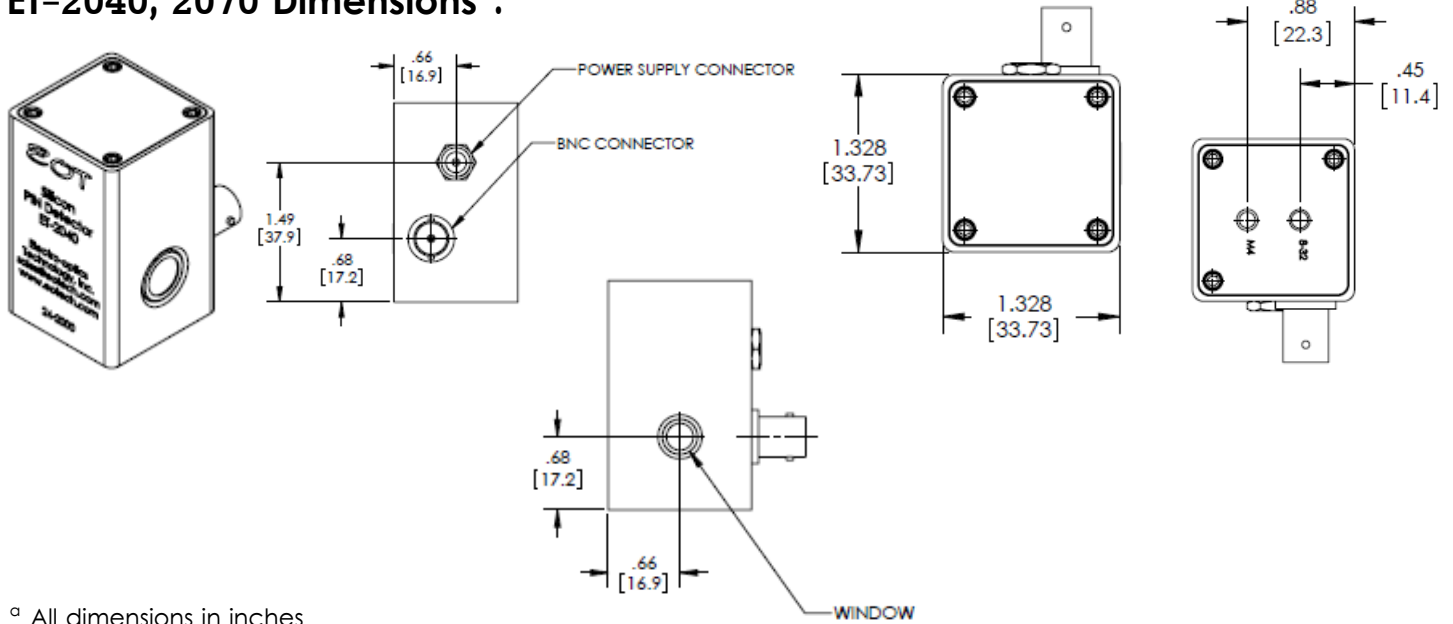


ET-2000, 2030 Dimensions^a:



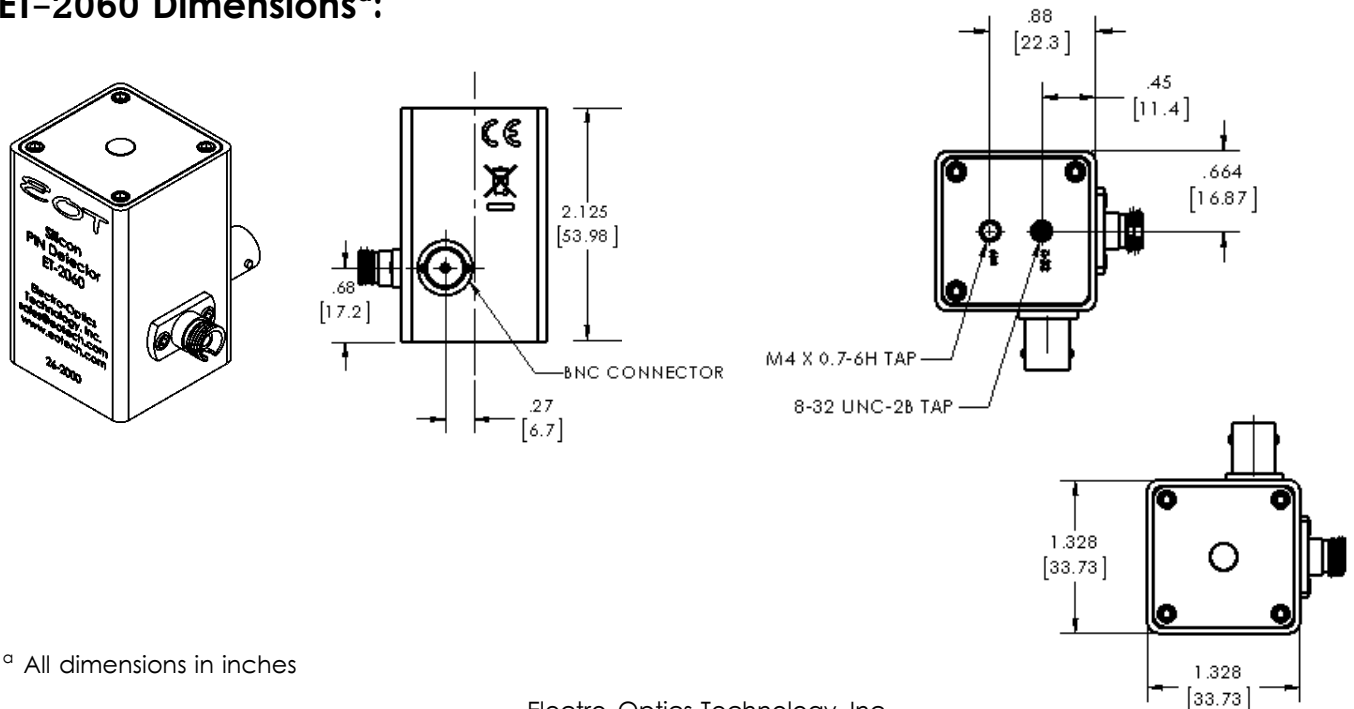
^a All dimensions in inches

ET-2040, 2070 Dimensions^a:



^a All dimensions in inches

ET-2060 Dimensions^a:



^a All dimensions in inches