

2 Micron Q-Switched Fiber Laser

AP-QS1

This world's first high power 2 μm Q-switched fiber laser offers nanosecond pulses and high beam intensity, providing a new tool to research and industry applications.

With their compact size, high efficiency, low maintenance, and ease of operation, AdValue Photonics' 2 μm fiber lasers provide many advantages over traditional bulk Holmium and Thulium solid state lasers.

Applications:

- Mid-IR generation
- Nonlinear optics studies
- Spectroscopy
- Research & development

Features:

- Customizable operating wavelength
- Nanosecond pulses
- High peak power
- Near diffraction limited beam quality
- Turn-key system with no maintenance required



Optical Characteristics:

Parameter	Specification
Operation mode	Pulsed
Operating wavelength	1.95 μm (option: 1.92-2.0 μm)
Average power	5 W nominal (higher or lower power available)
Pulse repetition rate	10 to 30 kHz
Pulse width (nominal)	20 to 200 ns options
Pulse energy	250 μJ (higher or lower pulse energy available)
Beam quality, M^2	< 1.3
Output power stability	Within $\pm 5\%$
Output polarization	Random (option: linear polarization)
Output delivery	Optical fiber armored cable terminated with collimator or SMA connector

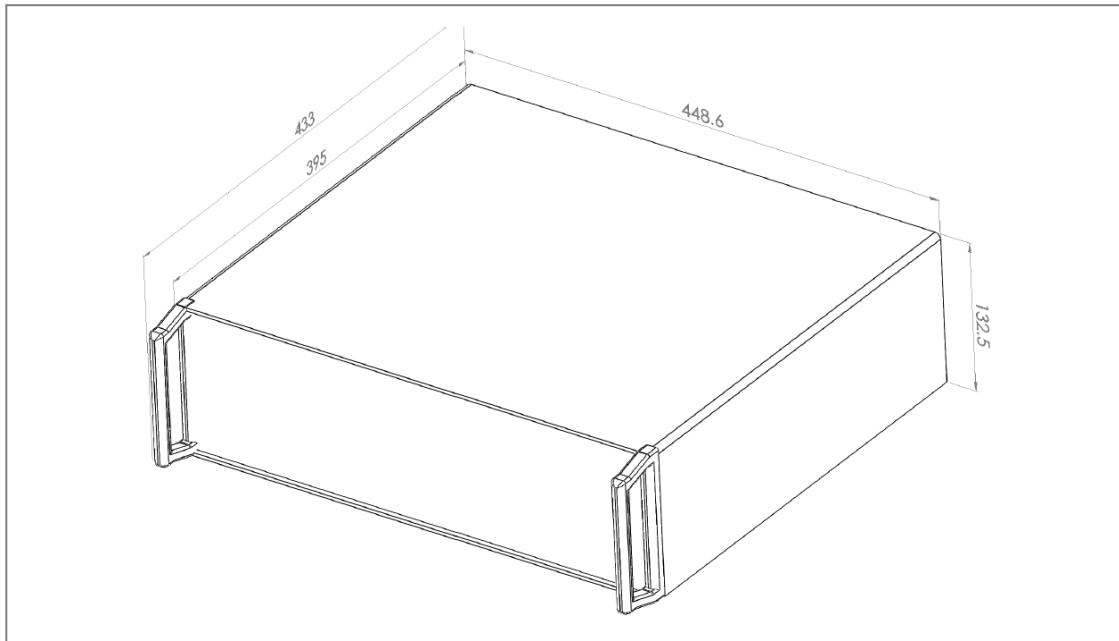
(For special requirement, please contact AdValue Photonics for options.)

Specifications subject to change without notice

General Characteristics:

Parameter	Specification
Operating temperature	0 to +30 °C
Storage temperature	-10 to +70 °C
Cooling	Forced air
Power requirement	AC 100~240 V (50/60Hz)
Warm-up time	10 minutes
Package dimensions	448.6(W) x 433(D) x 132.5(H) mm

Mechanical Outline:



Ordering Information:

Part Number:	AP-QS1	-	xxxx	-	xx	-	xx
			Standard Wavelength: 1950 = 1950 nm Custom Wavelength: xxxx = xxxx nm		Output Power: 02 = 2 W 05 = 5 W		Polarization: RP = random polarization LP = linear polarization



Specifications subject to change without notice