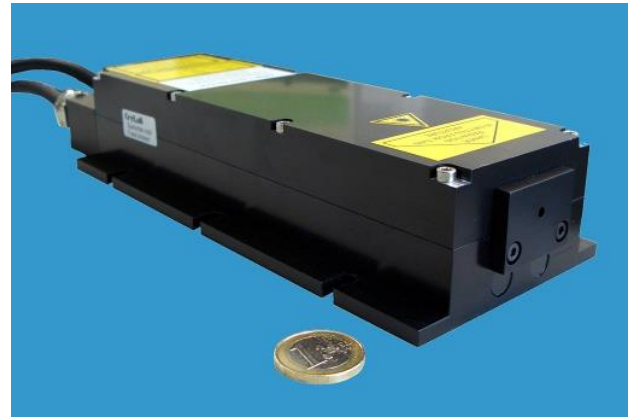


FTSS 355-300

Diode pumped passively Q-switched solid state laser

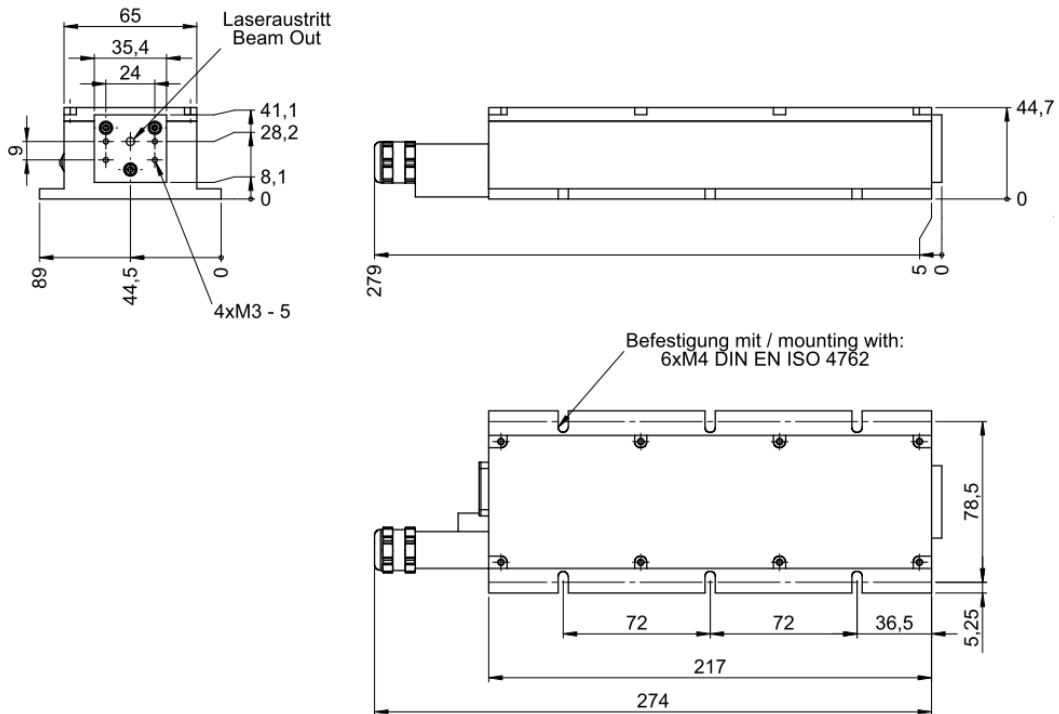
- 355 nm
- single pulse
- < 1.7 ns
- 1 – 80 Hz
- > 300 μ J



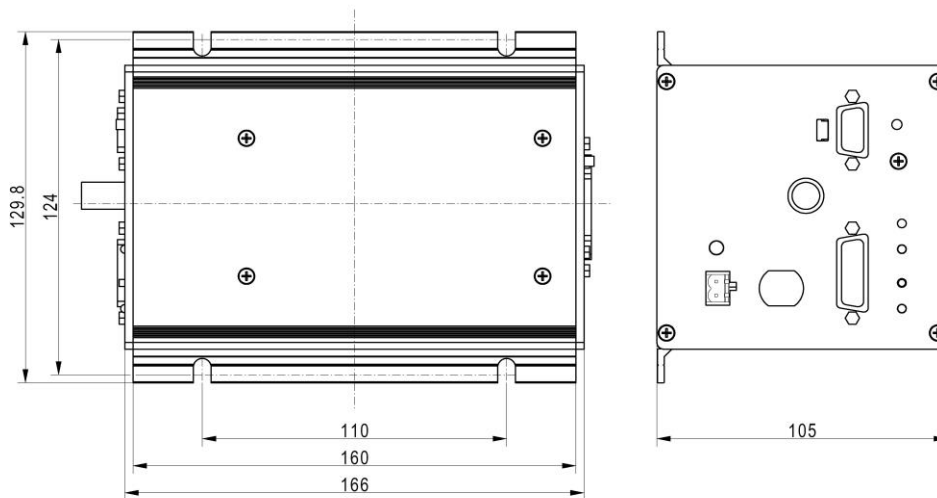
biology · biomedicine · chemistry · analytics

Optical Data	Wavelength	355 nm
	Spatial Mode	TEM ₀₀
	Beam Divergence (full angle)	< 2.5 mrad
	Beam Ellipticity	< 2:1
	Beam Diameter	400 ± 150 μ m (at laser exit)
	Peak Power	180 kW @ 20 Hz
	Pulse Energy	> 300 μ J @ 20 Hz
	Pulse Repetition Rate (with external trigger)	1 - 80 Hz [5 – 40 Hz with closed loop control for the pulse energy]
	Pulse Width (FWHM)	< 1.7 ns
	Polarization Ratio	> 100:1, vertical
	Long term pulse energy stability (6 hours) ¹⁾	< ± 5 %
	Pulse-To-Pulse Stability ²⁾	< 3 % rms
	Laser Classification	3B / IIIb
Residual 532nm Emission	< 0.5 mW @ 1064 nm (Class 3R) < 0.1 mW @ 532 nm (Class 2)	
Optical Output	Free Beam	
Electrical Data	Electrical Power Consumption	< 90 W
	Line Voltage	100 - 240 V AC (50-60 Hz) or 24 V DC
Interface	RS 232, USB	
Miscellaneous	Warm-up Time	< 15 min
	Operating Temperature	18 - 38 °C
	Laser Head Size	217 x 65 x 45 mm (core dimensions)
Options	SMA-connector for fiber with core diameter \geq 400 μ m	
	Synchronization signal output (rise time < 2 ns)	
	Manual shutter or electrical beam blocker	
	Manual or electrical driven wavelength switch 355 nm / 532 nm	
	Upgrade to 1 kHz repetition rate (parameters on request)	
	External telescope (e.g. M=5)	
	Heat sink with fan (recommended for repetition rates > 50 Hz)	
	Manual or electrical attenuator	
	Stand Alone System (incl. key-switch, heat sink, manual shutter; CDRH compliant)	
¹⁾ Drift over 6 hours, energy averaged over 10 sec after 5 min of continuous operation, temperature variation < 3 °C/hour. ²⁾ RMS over 1000 pulses after 5 min of continuous operation.		

Laser Head and Controller



OEM-Controller



Laser Safety Labels

The FTSS355-300 lasers are class 3B / IIIb according to IEC 60825-1:2014

<p>wavelength: 355 nm max. output: 600 µJ pulse duration: <1.7 ns max. repetition rate: 100 Hz</p> <p>Complies with IEC 60825-1:2014 Complies with 21CFR 1040.10 and 1040.11 except for deviations pursuant to Laser Notice No. 50, dated July 28, 2001</p>	<p>WARNING - INVISIBLE LASER RADIATION AVOID EXPOSURE TO BEAM</p> <p>CLASS 3B LASER PRODUCT</p>	<p>IS EMITTED FROM THIS APERTURE</p> <p>LASER RADIATION IS EMITTED FROM THIS APERTURE</p>
--	---	---

