

2 Micron Single-Frequency Fiber Laser AP-SF

With their compact size, high efficiency, low maintenance, and ease of operation, AdValue Photonics' 2 μ m fiber lasers provide many advantages over traditional bulk Holmium and Thulium solid state lasers.

Applications:

- LIDAR
- Gas sensing
- Frequency conversion
- Research & development

Features:

- Customizable operating wavelength
- Single longitudinal mode
- Very narrow spectral linewidth
- Single mode fiber delivery
- Turn-key system with no maintenance required



Optical Characteristics:

Parameter	Specification
Operation mode	CW
Operating wavelength	1950 nm (option: 1900-2100 nm)
Wavelength accuracy	± 1 nm nominal
Max. output power	30 mW (higher or lower power available)
Spectral linewidth	10 kHz, 50 kHz
Frequency stability	± 100 MHz per minute
Beam quality, M^2	< 1.1
Output polarization	Linearly Polarized
Fast tuning range	200 MHz, ~ 20 MHz/V with PZT (Option available)
Thermal tuning range	0.3 nm (Option available)
Output delivery	Panda PM1550 fiber, 3 mm jacket, 1 m fiber length, FC/APC connector, keyed to slow axis

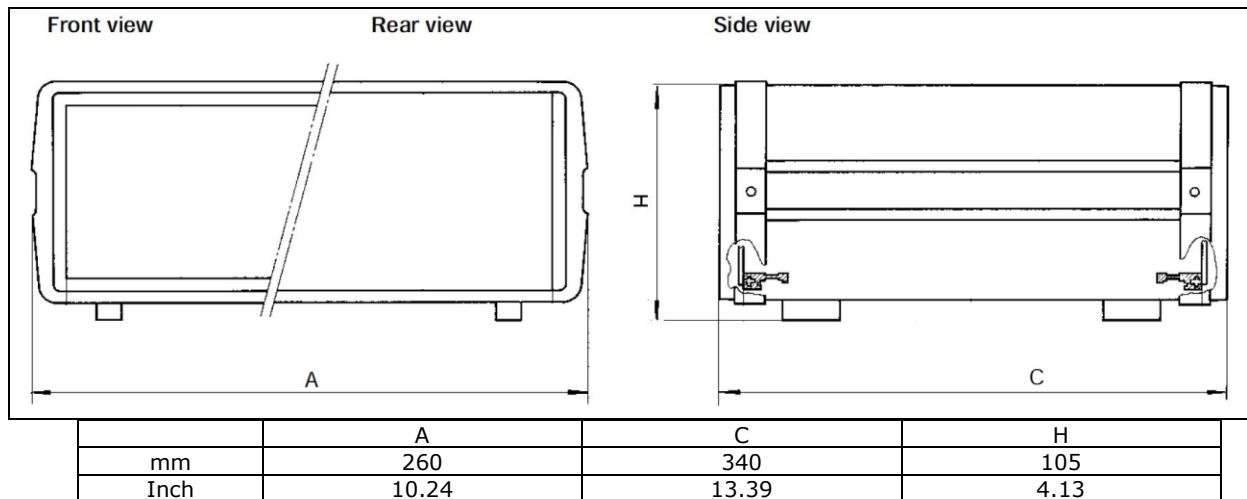
(For special requirement, please contact AdValue Photonics for options.)

Specifications subject to change without notice

General Characteristics:

Parameter	Specification
Operating temperature	20 to +35 °C
Storage temperature	-10 to +70 °C
Cooling	Forced air
Power requirement	AC 100~240 V (50/60Hz)
Warm-up time	10 minutes
Package dimensions	260(W) x 340(D) x 105(H) mm

Mechanical Outline:



Ordering Information:

Part Number:	AP-SF	-	xxxx	-	mxxx	-	xx
			Standard Wavelength: 1950 = 1950 nm Custom Wavelength: xxxx = xxxx nm		Output Power: m030 = 30 mW		Polarization: RP = random polarization LP = linear polarization



Specifications subject to change without notice